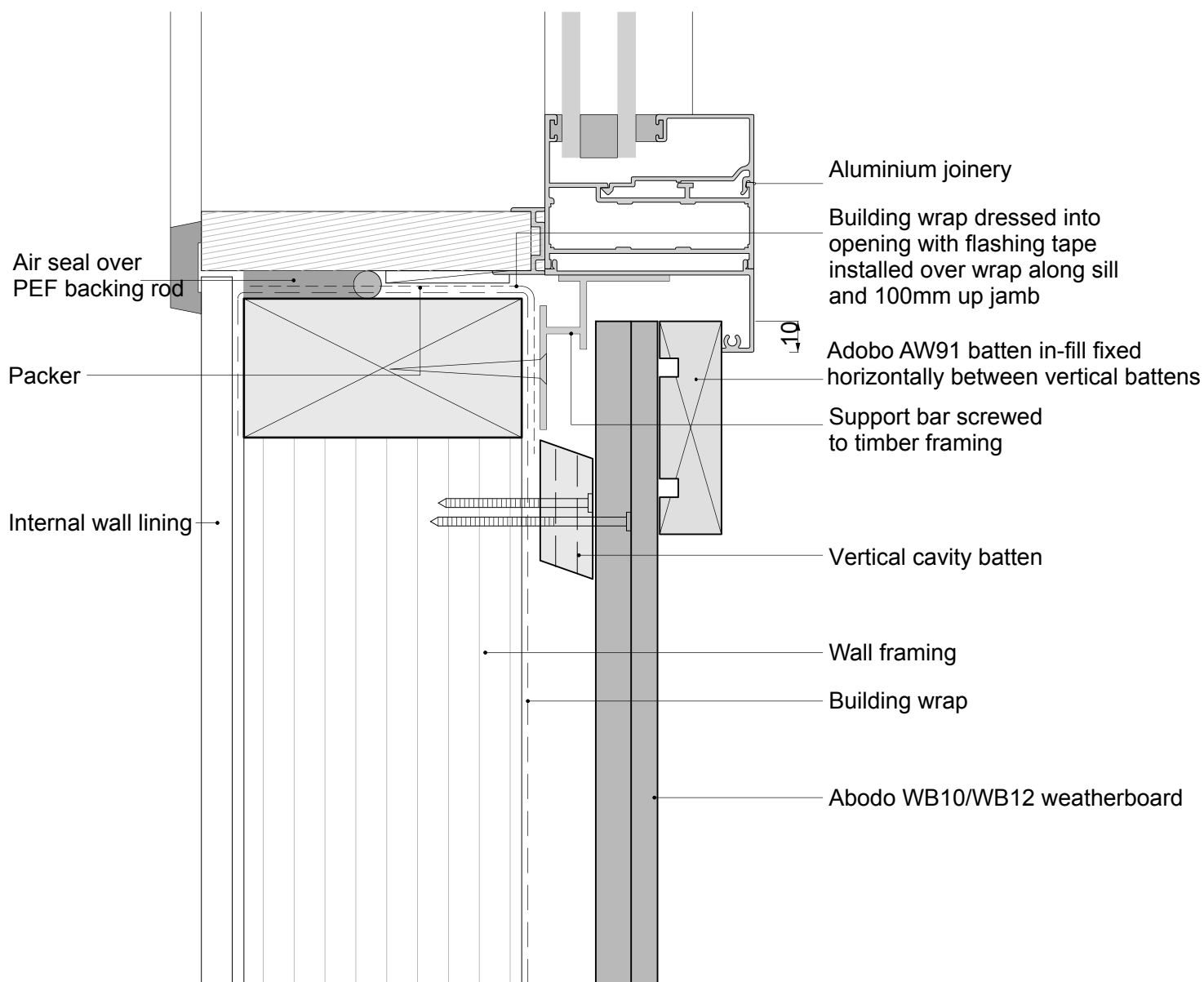


1. Weatherboards must be coated with at least one coat all sides prior to fixing.
2. Fixing points must be pre-drilled minimum 1mm smaller than the fastener.
3. Cut ends and exposed timber must be sealed with an approved coating or end seal.



Zara WB10/WB 12 Vertical Weatherboard
 Window Sill-Flexible Underlay

Scale
 1:2

Date
 7/06/2016



© 2013 Abodo Wood Ltd, PO Box 8961, Symonds St, Auckland 1052
 Ph 64 9) 302 9555 Fx 64 9) 302 9550
www.abodo.co.nz

Drawing No.
 HV.C.R.75